



# LAB PUA

## LAB PUA FAUCET KIT INSTALLATION GUIDE

***The Lab Pua efforts for making  
perfect pure and clean water***

*Providing customers, whatever their situation, with top quality, Korea manufactured water filters that perform consistently every time and gives them clean, healthy, great-tasting water anytime, anywhere.*



## ***Installation Guide***

***For correct operation & installation it is essential to observe these instructions.***

## **PRECAUTIONS:**

---

**WARNING:** Do not use with water that is microbiologically unsafe or of unknown quality without adequate disinfection before and after the system. Systems that are certified for cyst reduction may be used on disinfected waters that may contain filterable cysts.

**CAUTION:** Filter must be protected against freezing, which can cause cracking of the filter and water leakage.

**CAUTION:** Because of the products limited service life and to prevent costly repairs or possible water damage we strongly recommend that the head of the filter be replaced every 10 years. If the head of your filter has been in use for longer than this period it should be replaced immediately. Date the top of any new head to indicate the next recommended replacement date.

**CAUTION:** Turn off water supply to head without cartridge if it must be left unattended.

**CAUTION:** Do not use electrical heating tape on this unit.

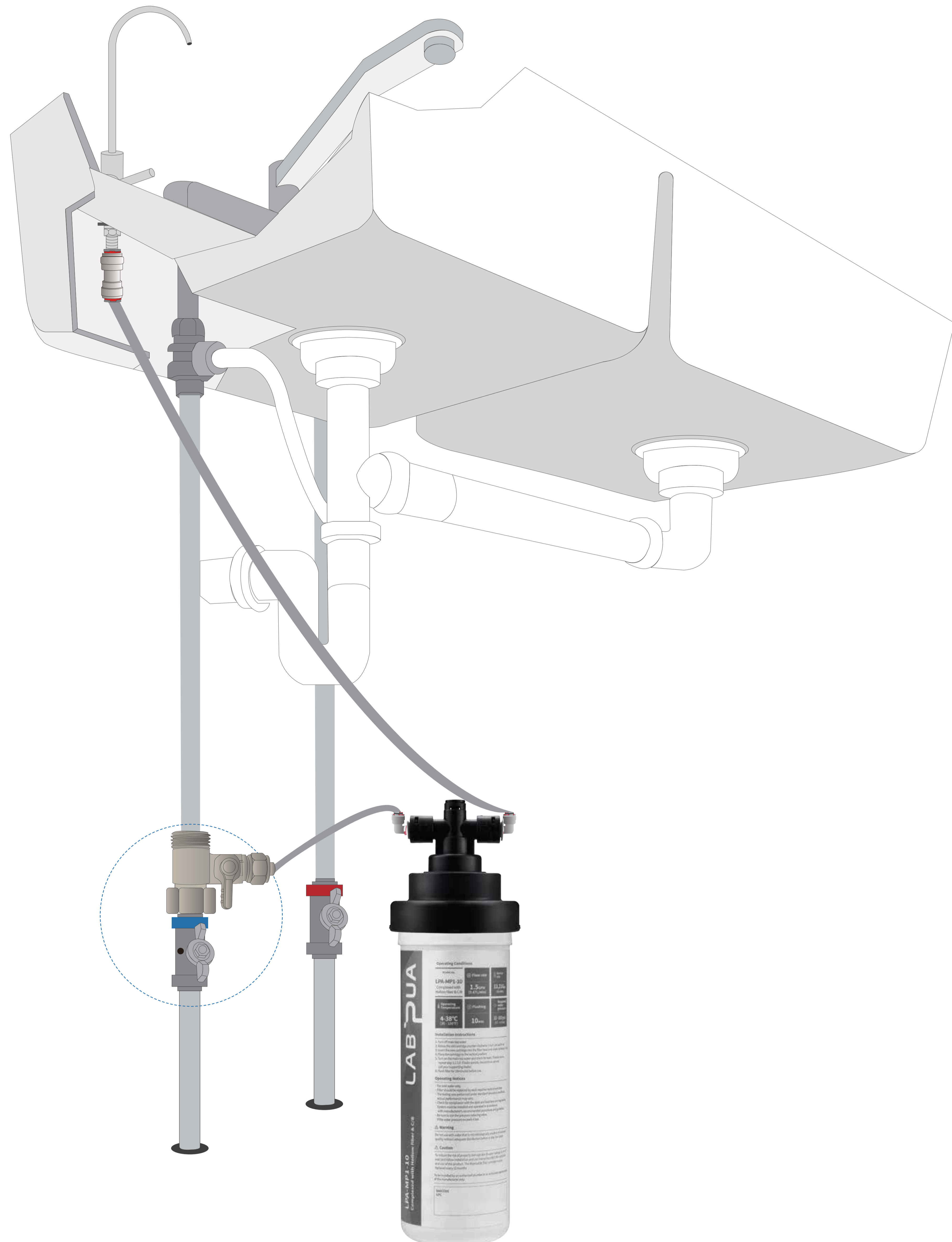
## **NOTES:**

---

- For cold water use only.
- The contaminants or other substances removed or reduced by this water treatment device are not necessarily in your water. Ask your local water municipality for a copy of their water analysis, or have your water tested by a reputable water testing lab.
- Do not install where system will be exposed to direct sunlight
- Filter cartridge life varies depending on filter type, usage and water conditions.
- The replacement filter cartridge used with this system has a limited service life. Changes in taste, odor, or flow of the water being filters indicated that the cartridge should be replaced.
- Use only LAB PUA filter replacement cartridges and headers.
- This installation guide is general advice only – it does not account for local laws, codes or regulations. Please consult the relevant authorities to ensure compliance.
- After long periods of no use such as a vacation, it is recommended that the system be flushed thoroughly. Let water run through the unit for 2-3 minutes before using.
- Wear safety glasses during the installation.

## INSTALLATION INSTRUCTIONS:

---

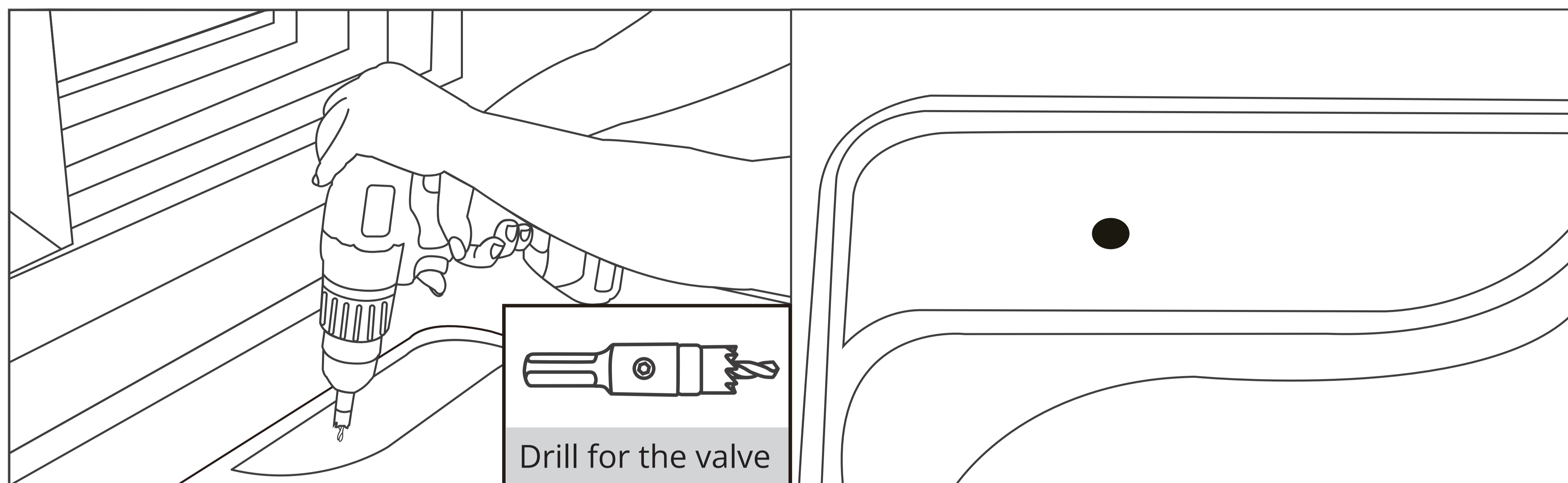


## NOTES:

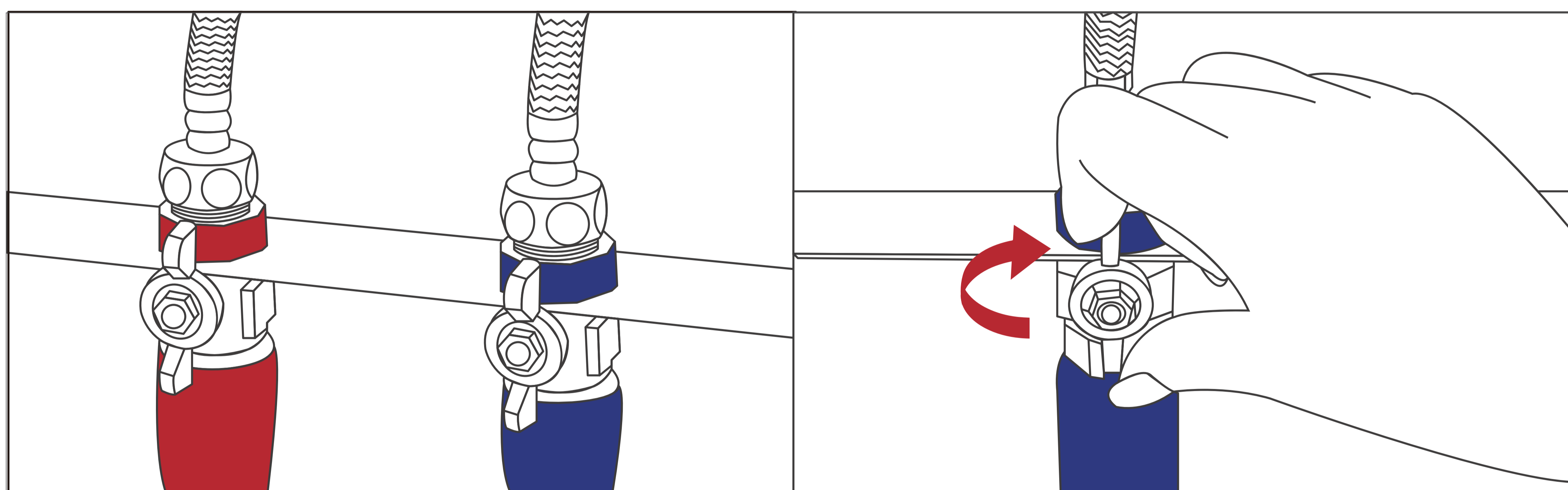
---

- Please read all instructions, specifications, and precautions before installing and using your water filter.
- Numbered diagrams correspond with numbered steps.
- For standard installation on ½-inch NPS supply threads on cold water only.

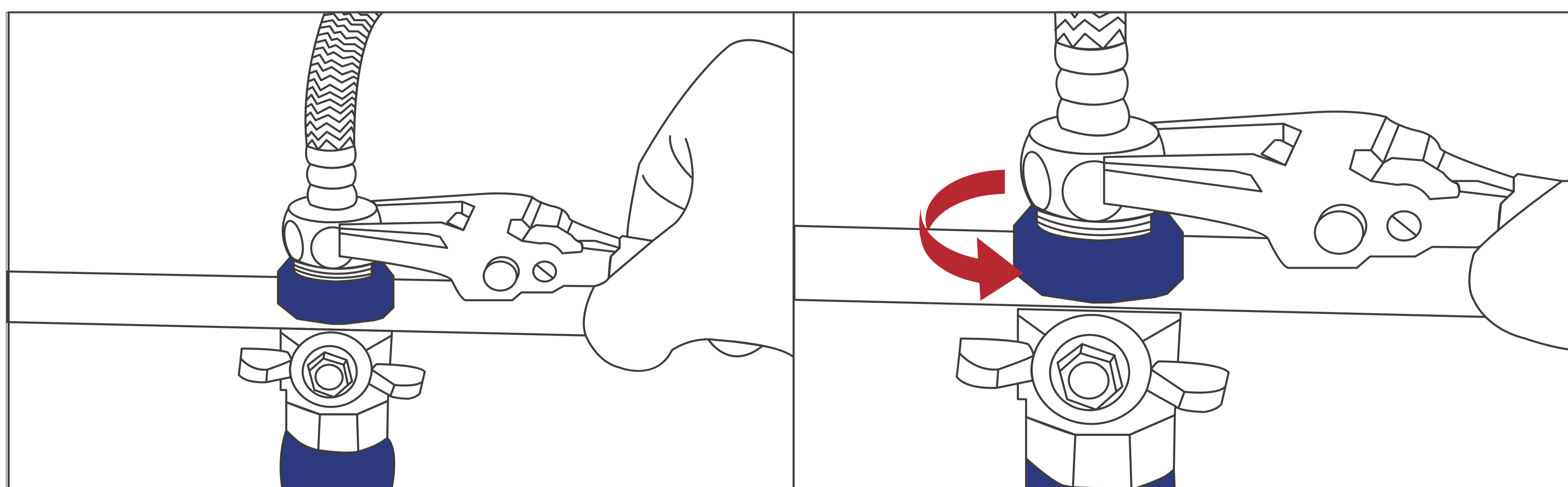
**INSTALLATION:**



- 1** Please use an electric drill to make a hole where the faucet will be installed.



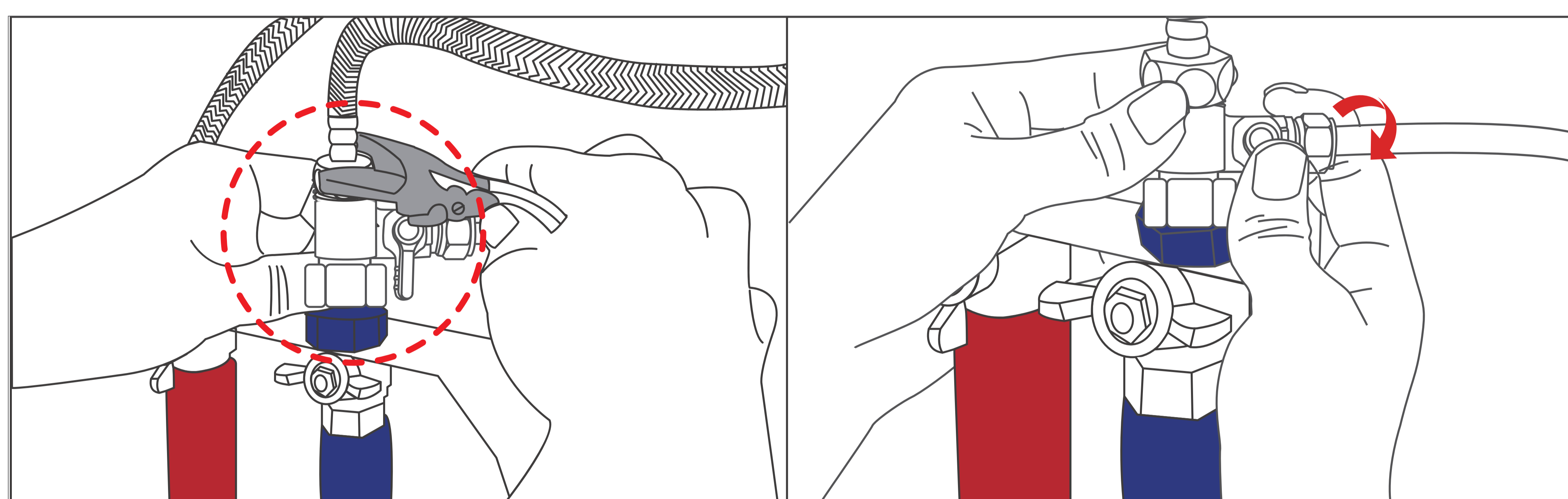
- 2** Check the main water valve located under the sink and turn the right (cold water) valve clockwise to shut off the water supply. Confirm that no water comes out when you turn on the tap.



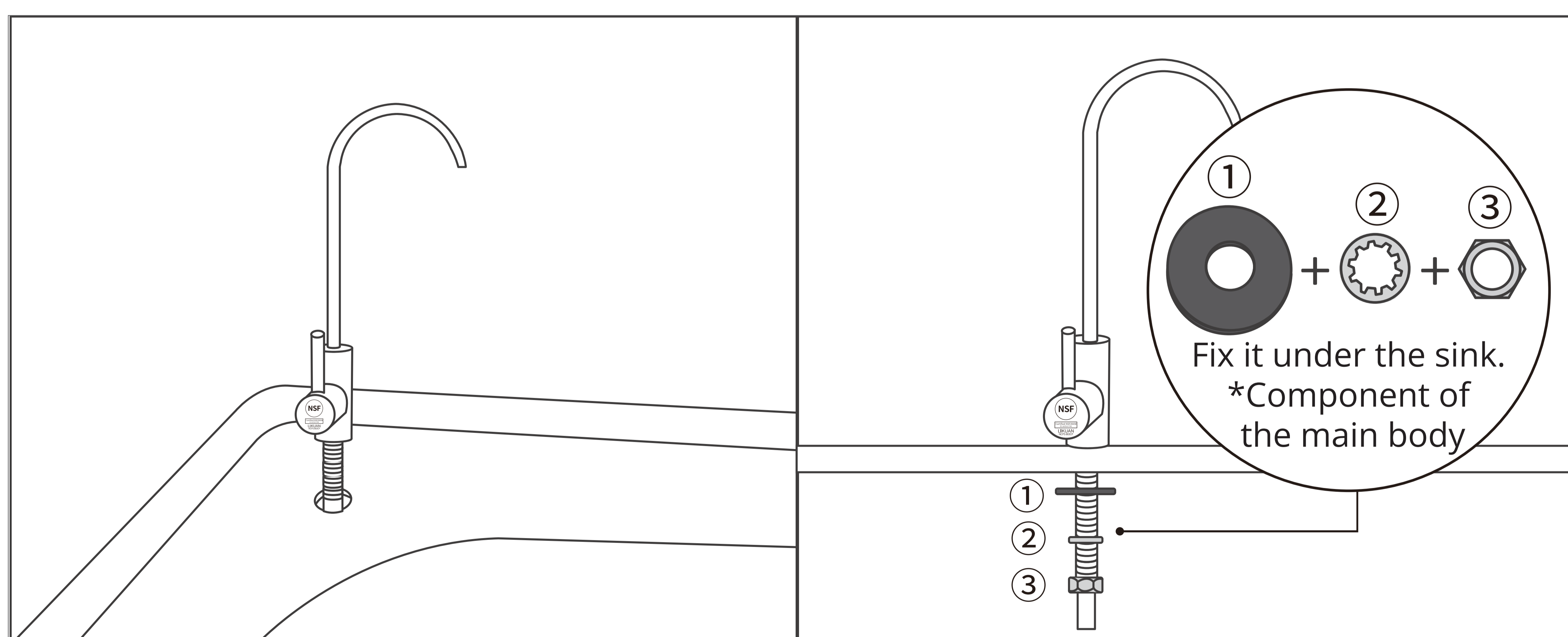
- 3** Use an Adjustable spanner to loosen the water adapter counter clockwise.



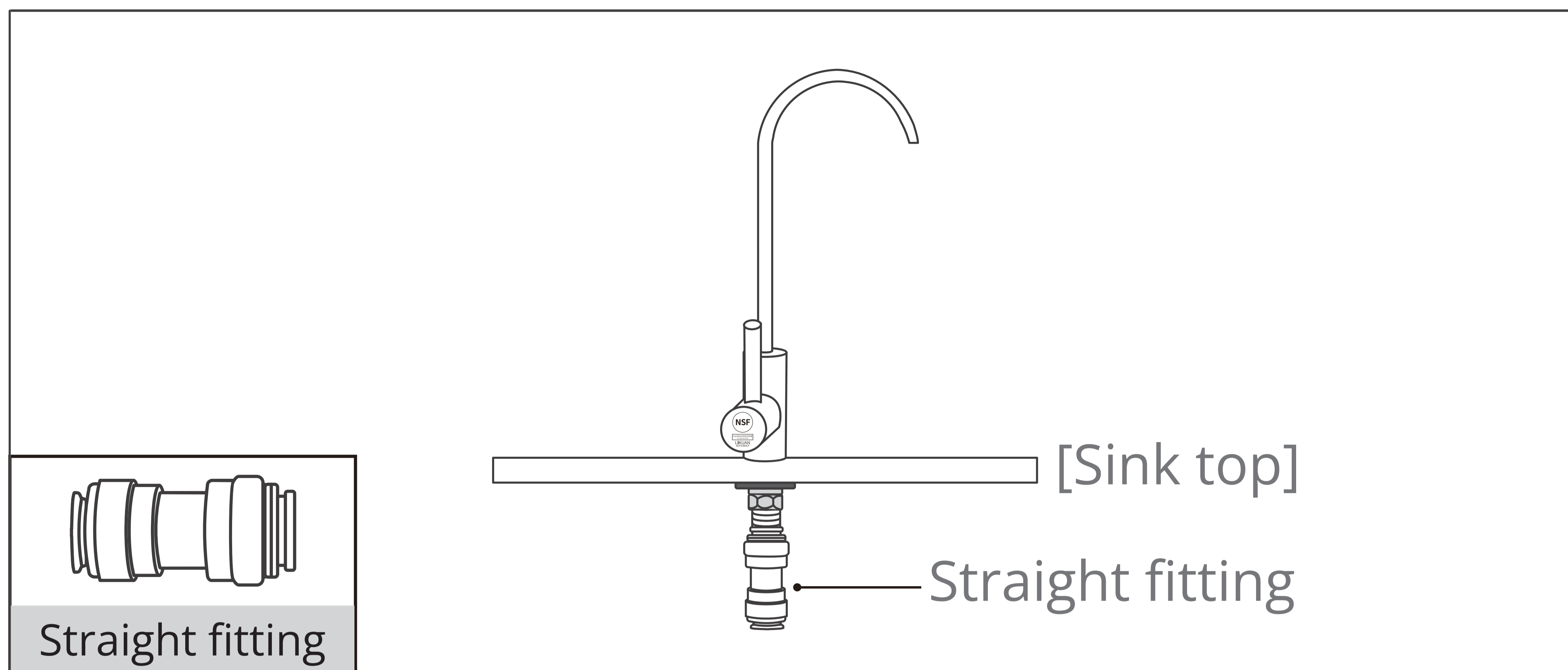
- 4** Wrap Teflon tape around the water pipe. Attach the water adapter to the water pipe and tighten it clockwise by hand.



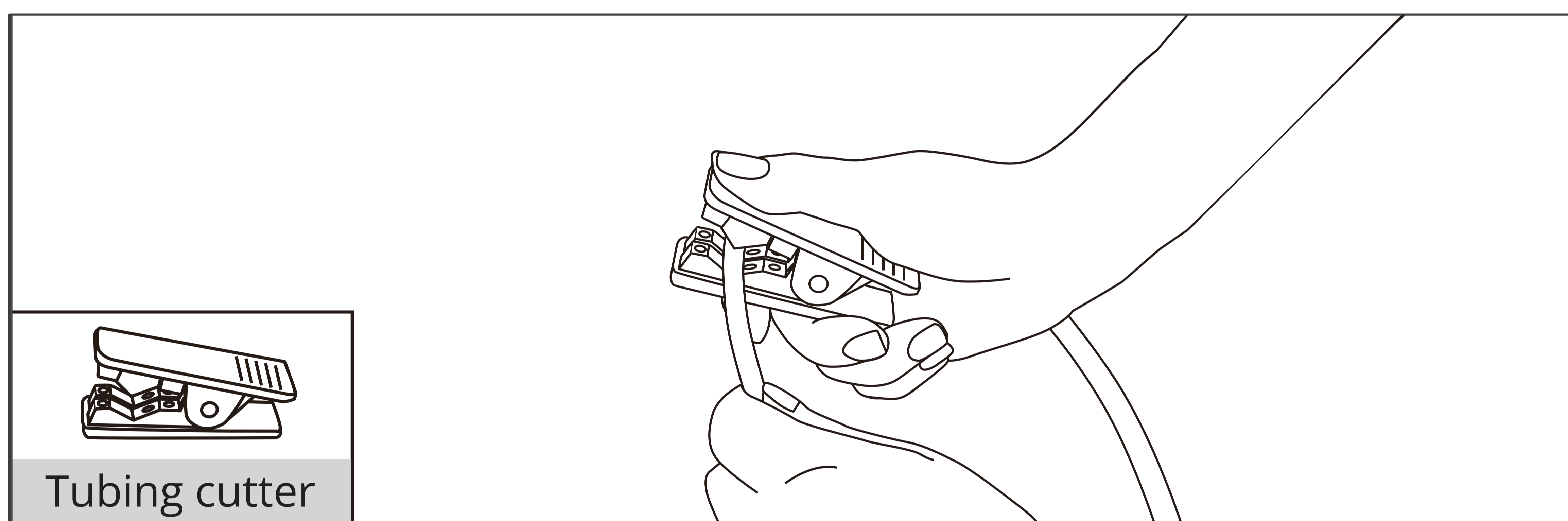
- 5** Connect the water supply pipe to the top of the water adapter and tighten it using an adjustable wrench. Insert the straight pipe into the water adapter and tighten the water adapter cap with a spanner.



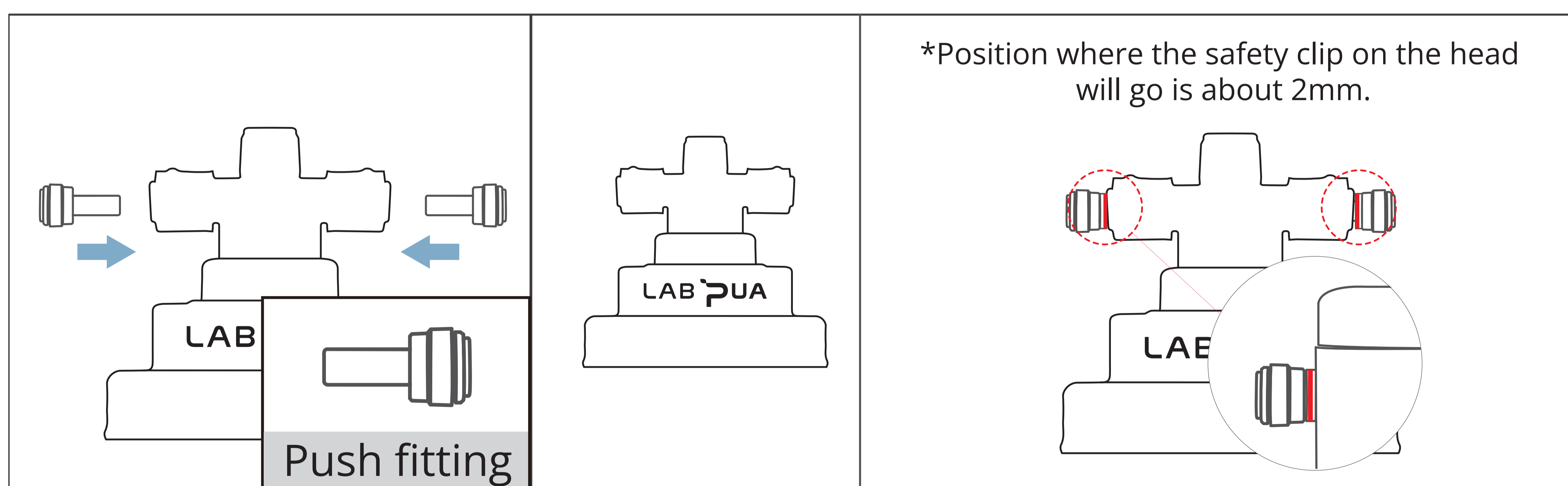
- 6** Insert the faucet into the hole drilled in the sink. Put the corresponding bolt (component of the main body) into the bottom part of the faucet and secure it by hand.



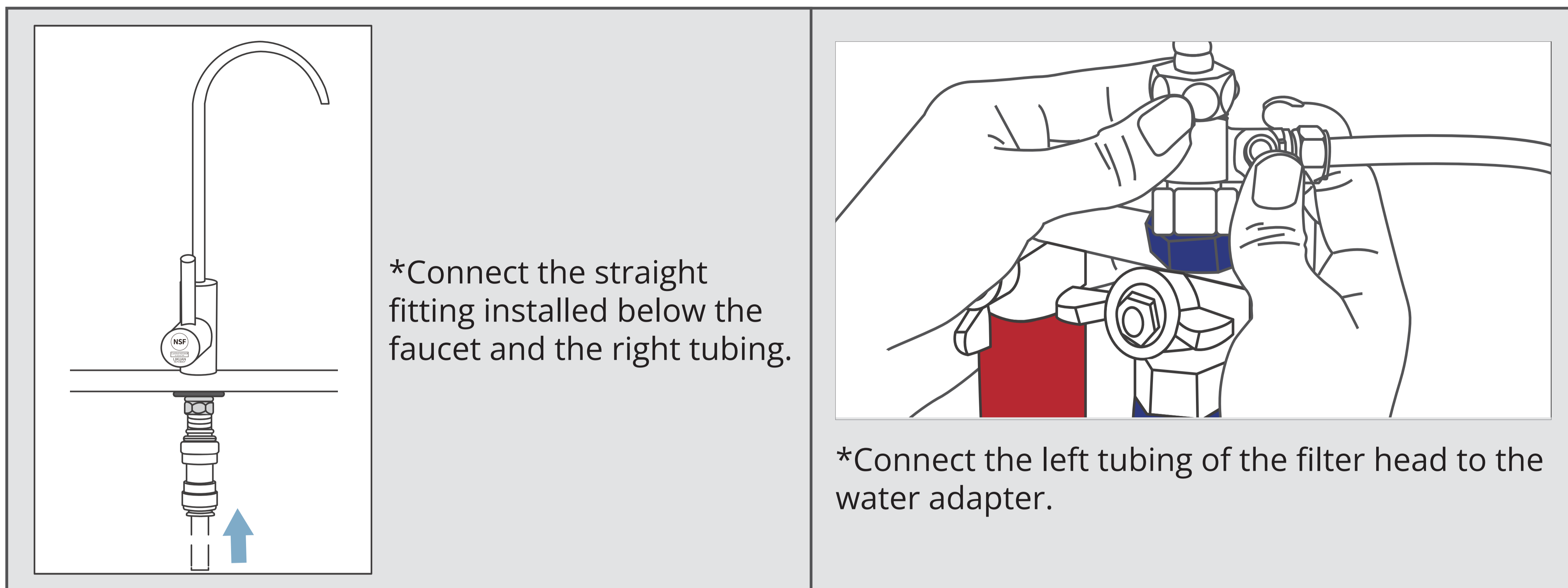
- 7** Attach a straight fitting to the end of the lower part of the faucet. Push it firmly until it fits completely.



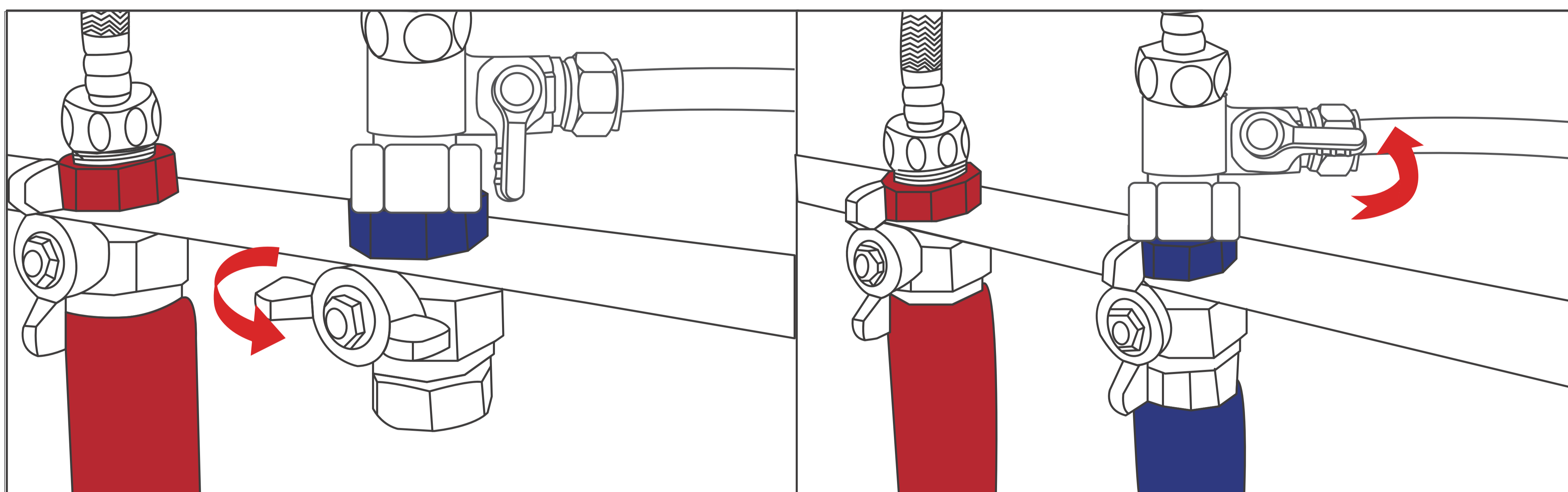
- 8** Use a tubing cutter to cut the water supply pipe (tubing) to the desired length.



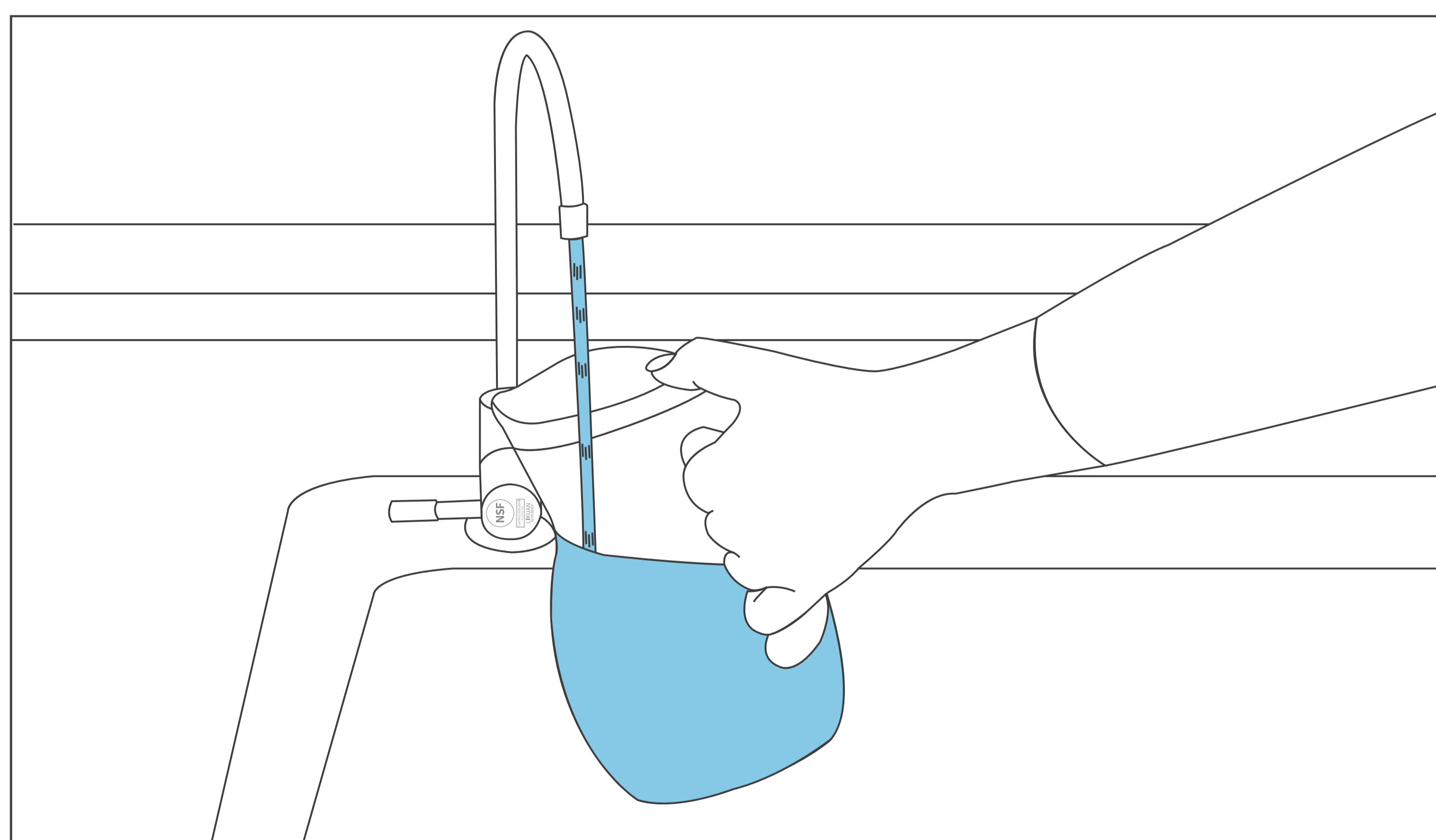
- 9** Attach the Lab Pua head push-fitting parts on both sides. Push the stem elbow part firmly so that it goes in.



**10** Insert the straight pipe (tubing) into the Lab Pua header.



**11** Turn the main water valve counter clockwise to open it. Open the valve of the newly installed water adapter.



**12** When using it for the first time, let the water run for about 10 minutes. This process is necessary to stabilize the filter performance. After 10 minutes, you can enjoy filtered water from the Lab Pua purification system.

## LAB PUA Carbon Block Filter (CB5 Series)

Chlorine, Taste & Odor, Particle Reduction Filter



## Notes

LAB PUA care products are designed, manufactured and supported by Mexitrading Pty Ltd the name you can trust for viable and proven water solutions. The complete range of LAB PUA products are developed refined, made to meet and exceed stringent specifications for the worldwide market.

**IMPORTANT:** Sales of products are subject to our Terms and Conditions which are available upon request. All specifications, information and photos are a guide only and are subject to change without notice. Please ring to confirm details.

**WARNING:** For correct operation of this appliance it is essential to observe manufacturer's instructions.

## Warranty

To make a claim under the warranty, take the product and proof of purchase to place where you purchased the product, and they will lodge a Warranty Request with LAB PUA

LAB PUA will pay your reasonable, direct expenses of claiming under this warranty. You may submit details and proof of your expense claim to place of purchase for consideration.

The warranty only applies if the product was used and/or installed in accordance with the user guide and/or installation instructions. This warranty is given in lieu of all other express or implied warranties and manufacturer shall in no circumstance be held liable for damages consequential or otherwise or delays caused or faulty manufacturing except as excluded by law.

Applicable to all above, is that the Warranties need to be approved by LAB PUA to ensure product was not incorrectly used, installed or claimed. False and incorrect claims will be pursued at LAB PUA's discretion, including chargeable inspection and labour costs incurred.

## Warranty /Australia

This warranty is given by Mexitrading Pty Ltd, ABN 82 153 179 287  
15/365-369 West Botany Street Rockdale 2216 NSW, AU

Email at [sales@labpua.com.au](mailto:sales@labpua.com.au) or Contact us ►



# LAB PUA

**High Quality for Everyone**

 [www.labpua.com.au](http://www.labpua.com.au)

 [sales@labpua.com.au](mailto:sales@labpua.com.au)